

(12) **UK Patent Application** (19) **GB** (11) **2 307 047** (13) **A**

(43) Date of A Publication 14.05.1997

(21) Application No **9622804.4**

(22) Date of Filing **01.11.1996**

(30) Priority Data

(31) **08556736** (32) **07.11.1995** (33) **US**

(51) INT CL⁶
G01F 1/74

(52) UK CL (Edition O)
G1R RG
U1S S1748

(71) Applicant(s)

Western Atlas International Inc

(Incorporated in USA - Delaware)

**10205 Westheimer Road, Houston, Texas 77042-3115,
United States of America**

(56) Documents Cited
GB 2152213 A

(58) Field of Search
UK CL (Edition O) **G1R RG**
INT CL⁶ **G01F 1/00 1/74**

(72) Inventor(s)

Shanhong Song

(74) Agent and/or Address for Service

Haseltine Lake & Co
Imperial House, 15-19 Kingsway, LONDON,
WC2B 6UD, United Kingdom

(54) **Determining volumetric flow rates of gas and liquid in stratified flow**

(57) A method of determining volumetric flow rates of gas (12) and liquid (14) in a conduit (1) includes measuring two of three variables including the velocity of the gas (12), the velocity of the liquid (14), and the fractional amount of the cross-sectional area of the conduit (1) occupied by the gas (12) and by the liquid (14). In Figure 3, electric heating elements (18A, 18B) and temperature sensors (20,22) enable the gas velocity to be measured (although a spinner flowmeter may be used), the liquid velocity may be determined by a spinner flowmeter or radioactive tracer, and the fractional amount of the cross-sectional area can be determined by measurement of liquid depth by means of a pivoted capacitance sensing arm (30) carrying electrodes (31,32).

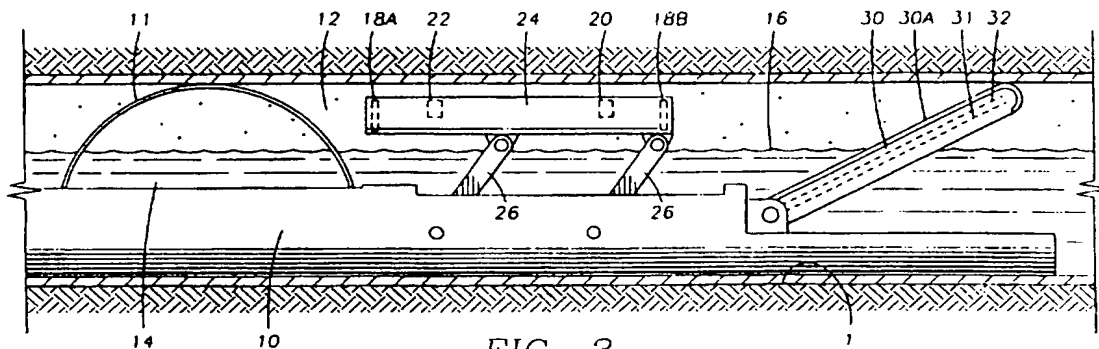
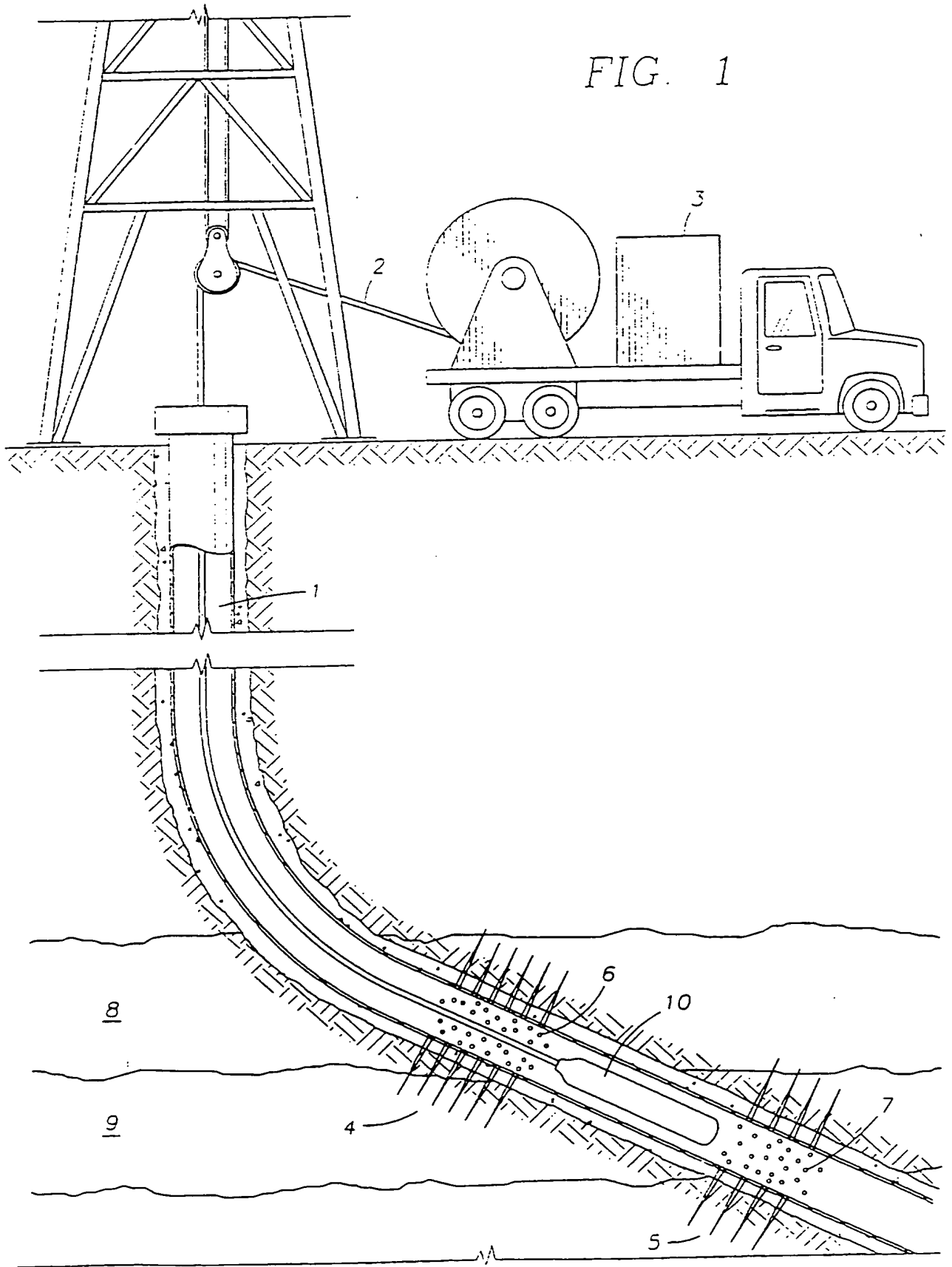


FIG. 3

GB 2 307 047 A

FIG. 1



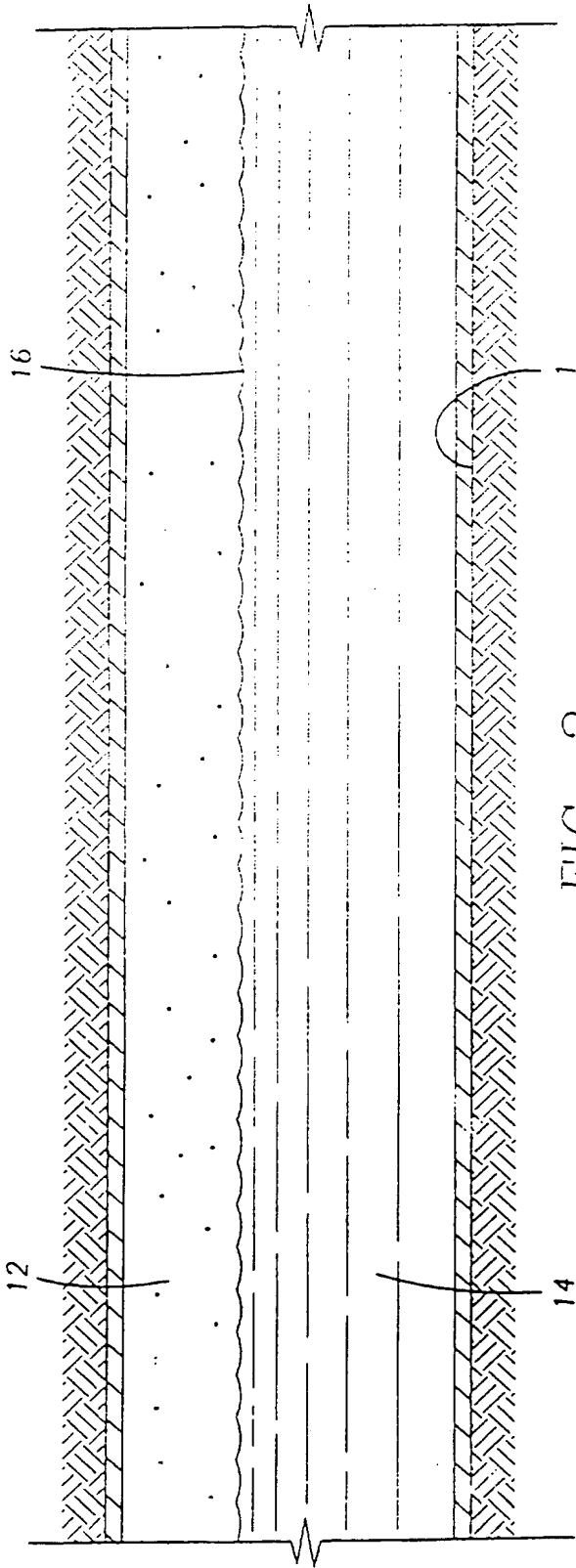


FIG. 2

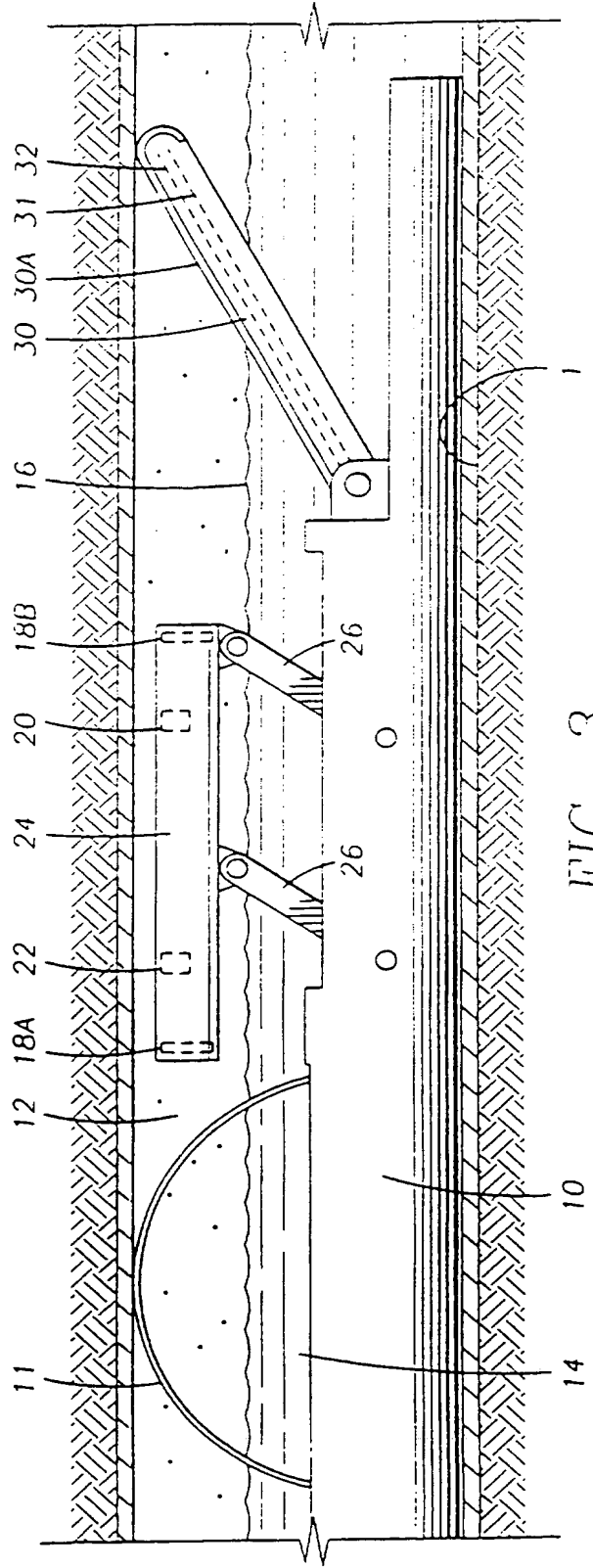


FIG. 3

PRODUCTION LOGGING OF OIL AND GAS WELLS

The present invention relates to production logging of oil and gas wells, and in particular, but not exclusively, to methods of determining volumetric flow rates of gas and liquid in highly inclined wellbores particularly when the flow regime substantially consists of stratified gas-liquid flow.

5 It is desirable for the operator of an oil and gas well to be able to determine, with respect to depth in the wellbore, flow rates of various fluids flowing within the wellbore. The fluids typically include oil, gas and water. The wellbore operator uses knowledge of the flow rates of the fluids to determine, among other things, which subsurface earth formations introduce the fluids into the wellbore which are desired to be produced, typically
10 the gas and/or oil, and which formations introduce fluid, typically water, which interferes with the intended fluid production of the wellbore.

Production logging of oil and gas wells is used to determine, with respect to depth, the flow rates of the various fluids flowing within the wellbore. Production logging includes lowering instruments into the wellbore at one end of an armored electrical cable. The
15 instruments communicate signals along the cable to a recording system at the earth's surface wherein the instrument signals are converted into measurements corresponding to the flow rates of the fluids in the wellbore with respect to depth. The instruments typically include a device which measures fluid pressure, a device which measures specific gravity of the fluid in the wellbore, another device which is used to determine the fractional volume of water
20 in the wellbore, and another device selected from a number of different types of such device which measures the velocity of the fluid flowing in the wellbore. As is understood by those skilled in the art, production logging instruments typically measure properties of the fluids in the wellbore only within a very small fraction of the total cross-sectional area of the wellbore. In vertical wellbores this limitation of production logging instruments typically
25 does not pose any difficulty in determining volumetric flow rates of the individual fluids because fluid flow is typically sufficiently homogeneous to enable the response of the

RAD ORIGINAL

production logging instrument to reflect the bulk composition of the fluid. However, in highly inclined or horizontal wellbores, the fluids in the wellbore can segregate by gravity so that the less dense fluids fill the upper portion of the cross-sectional area of the wellbore and more dense fluids fill the lower portions of the cross-section of the wellbore. Gravity segregation may cause the production logging instruments to make measurements corresponding to the density, velocity, and fractional volume of only one of the fluids, depending on the fraction of the cross-section of the wellbore filled with each individual fluid, and on the position of the production logging instrument within the cross-section of the wellbore.

A particularly difficult flow condition to measure in highly inclined wellbores using the production logging tools known in the art is so-called stratified flow, in which the fluids in the wellbore comprise gas and liquid. Gas typically will occupy the upper portion of the wellbore, and the liquid will occupy the lower portion. In order for the wellbore operator to determine the volumetric flow rates of gas and liquid flowing in such a wellbore, he must be able to determine gas velocity, liquid velocity and the fractional amount of the wellbore cross-section occupied by each. Because the production logging tools known in the art measure fluid properties at only a small fraction of the total cross-sectional area of the wellbore, it is difficult to determine the fraction of the cross-sectional area and the velocities of gas and liquid using production logging instruments and methods known in the art.

Various aspects of the present invention are exemplified by the attached claims.

A further aspect of the present invention can provide a method of determining flow rates of stratified gas and liquid in a highly inclined wellbore in which it is not necessary to measure all three parameters; gas velocity, liquid velocity and fractional volume of each within the wellbore.

Another aspect of the present invention can provide a method of determining volumetric flow rates of gas and liquid in a highly inclined conduit. Such a method includes the steps of measuring the velocity of the gas,

measuring the velocity of the liquid, calculating a fractional amount of the cross-sectional area of the conduit occupied by the gas and by the liquid, and calculating the volumetric flow rates from the measurements of velocity and from the calculated fractional amounts of the cross-sectional area of the conduit occupied by the gas and by the liquid.

In a preferred embodiment of the invention, the gas velocity is measured by cross-correlating measurements of two spaced apart temperature sensors after momentarily heating the gas. The gas velocity is inversely related to the time delay between measurements of the heated gas passing each sensor. The liquid velocity is measured by a spinner flowmeter.

Alternatively, the liquid velocity can be measured by a spinner flowmeter.

For a better understanding of the invention, and to show how the same may be carried into effect, reference will now be made, by way of example, to the accompanying drawings, in which:-

Figure 1 shows a production logging tool embodying an aspect of the present invention being lowered into a wellbore.

Figure 2 shows stratified flow in the wellbore comprising liquid and gas segregated by gravity.

Figure 3 shows a gas velocity measurement sensor forming part of the production logging tool.

Operation of an embodiment of the present invention in a wellbore can be better understood by referring to Figure 1. An electric wireline or cable typically comprising at least one insulated electrical conductor (not shown separately) can be extended into a wellbore by means of a surface logging unit comprising a winch (not shown separately) or similar device known in the art. A logging tool comprising an instrument for measuring gas velocity and liquid velocity (not shown separately in Figure 1) can be attached to the end of the cable which is extended into the wellbore. The logging unit further comprises equipment (now shown separately) for sending electrical power to the tool, and receiving and interpreting signals transmitted along the cable by

the tool 10. The signals transmitted by the tool 10 correspond to, among other things, the gas velocity and liquid velocity. The use of the measurements of gas velocity and liquid velocity will be further explained.

5 A first zone 4 can be completed in an upper earth formation 8, and a second zone 5 can be completed in a lower earth formation 9. Each zone 4, 5 provides hydraulic communication between the respective earth formations 8, 9 and the wellbore 1. A first fluid 6 contained in the upper earth formation 8, and a second fluid 7 (which may be of different overall composition than the first fluid 6) contained in the lower earth formation 9, can flow into the wellbore 1.
10 As the tool 10 is moved past the zones 4, 5, the tool 10 makes measurements corresponding to the relative volumes of the first 6 and second 7 fluids entering the wellbore 1 from the upper 8 and lower 9 earth formations, respectively, as will be further explained. The wellbore 1 is typically inclined less than about ten degrees from horizontal at the depth at which the first formation 8 and the
15 second formation 9 are located.

Figure 2 shows a section of the wellbore 1 which is substantially horizontal. Gas 12 and liquid 14 in Figure 2 can be water, but it is to be understood that an embodiment of the present invention is also applicable when the liquid 14 comprises oil, or mixtures of water and oil. Stratified flow
20 typically occur when the flowing velocity is low enough so as not to disturb substantially an interface 16 between the gas 12 and the liquid 14. The gas 12, being less dense than the liquid 14, segregates by gravity and tends to travel through the upper portion of the cross-sectional area of the wellbore 1. Undetermined volumetric flow rates of gas and of liquid can enter the wellbore
25 1 from the first zone (shown as 4 in Figure 1) and from the second zone (shown as 5 in Figure 1). The volumetric flow rates at which the gas and liquid enter the wellbore 1 from each zone (4, 5) determine the overall velocity of the gas 12, the overall velocity of the liquid 14 and the fractional amount of the cross-section of the wellbore 1 which is occupied by the gas 12 and by the liquid 14.

30 The following analysis is provided to show that, assuming stratified flow, it is possible to determine the fractional amount of the cross-sectional area of the

wellbore occupied by the gas 12 and the liquid 14 only by measuring gas 12 velocity and liquid 14 velocity. By determining the fractional amount of the cross-section and combining it with the velocity measurements, it is therefore possible to determine volumetric flow rates of the gas 12 and the liquid 14 only by measuring their respective velocities. It is to be understood that using the following analysis, it is also possible to determine either the gas 12 velocity or the liquid 14 velocity by measuring the fractional amount of cross-section occupied by either one, and measuring the other velocity.

At any particular axial position within the section of the wellbore 1, if the flow rates of the gas 12 and of the liquid 14 are assumed to be substantially constant, then the momentum of the liquid 14 can be described according to the following expression:

$$(P + \rho_l g \frac{h}{2}) A_l - (P - \rho_l g \frac{h}{2} + \frac{dp}{dx} \Delta x) A_l + \tau_s \Delta x - \tau_s \Delta x + \rho_l A_l \Delta x g (\sin \alpha) = 0 \quad (1)$$

15

where P represents the gas 12 pressure, h represents the liquid 14 depths, A_l represents the

cross-sectional area within the wellbore 1 occupied by the liquid 14. g represents acceleration due to gravity (the gravitational constant, typically about 9.81 m/sec^2), α represents the angle of inclination of the wellbore 1 with respect to horizontal (when the wellbore 1 is horizontal $\alpha = 0$), ρ_l represents the density of the liquid 14, τ_l , and τ_i represent, respectively, the shear stresses within the liquid 14 and at the interface 16. S_l represents the length of the interface 16, and S_l represents the perimeter of the wellbore 1 occupied by the liquid 14. dp/dx represents the fluid pressure gradient along the wellbore 1 and Δx represents the length of the wellbore 1 over which the momentum is being calculated. The density of the liquid 14 can be determined by surface measurement, particularly if the liquid 14 consists substantially entirely of water. Alternatively, the liquid 14 density can be measured by a fluid density measuring device forming part of the production logging tool (10 in Figure 1), as is known in the art.

Equation (1) can be simplified to the form:

$$-A_l \frac{dp}{dx} + \tau_i S_i - \tau_l S_l + \rho_l g A_l (\sin \alpha) = 0 \quad (2)$$

In equations (1) and (2) a so-called "shallow water" approximation is used. Therefore the liquid 14 pressure in the segment of the wellbore 1 can be expressed as:

$$P_l = P + \rho_l g \frac{h}{2} \quad (3)$$

The momentum of the gas 12 can be described by the following expression:

$$-A_g \frac{dp}{dx} - \tau_i S_i - \tau_g S_g + \rho_g g A_g (\sin \alpha) = 0 \quad (4)$$

In equation (4) all the "g" subscript variables represent the equivalent quantities for the gas 12 as for the liquid 14 in equations (1) and (2). The gas 12 density can be determined by measurement using the fluid density device forming part of the production logging tool (10 in Figure 1). Alternatively the gas 12 density can be calculated using a sample of the gas 12 the density of which is measured at the earth's surface, measuring pressure and

temperature in the wellbore 1 using appropriate pressure and temperature sensors (of types known in the art) on the production logging tool (10 in Figure 1), and converting the gas 12 density at the earth's surface to the pressure and temperature measured in the wellbore 1. The gas 12 density calculation method is known to those skilled in the art.

5 By combining equations (2) and (4) the pressure terms can be eliminated from the result, giving the expression:

$$\tau_g \frac{s_g}{A_g} - \tau_l \frac{s_l}{A_l} + \tau_l s_l \left(\frac{1}{A_g} + \frac{1}{A_l} \right) + (\rho_l - \rho_g) \sin \alpha = 0 \quad (5)$$

The shear stress terms in the preceding equations can be determined by the following expressions:

$$\tau_l = f_l \frac{\rho_l}{2} V_l^2 \quad (6)$$

$$\tau_g = f_g \frac{\rho_g}{2} V_g^2 \quad (7)$$

$$\tau_i = f_i \frac{\rho_g}{2} (V_g - V_l)^2 \quad (8)$$

10 where the f terms, referred to as friction factors, can be determined by the following expressions:

$$f_l = c \left(\frac{D_l V_l}{\nu_l} \right)^b \quad ; \quad f_i = f_g = c \left(\frac{D_g V_g}{\nu_g} \right)^b \quad (9)$$

15 where ν_g and ν_l represent, respectively, the gas 12 and liquid 14 kinematic viscosities. In equation (9), c is a constant typically having a value of about 16.0 for laminar flow and 0.046 for turbulent flow. b is a constant typically having a value of about -1.0 for laminar flow and a value of -0.2 for turbulent flow. Hydraulic diameters, D_l , and D_g in equation (9), are typically defined according to the following expressions:

$$D_l = \frac{4A_l}{s_l} \quad ; \quad D_g = \frac{4A_g}{s_g + s_l} \quad (10)$$

It is assumed in the foregoing analysis of stratified flow that the gas 12 velocity is typically greater than the liquid 14 velocity. If instead the liquid 14 flows at higher velocity than the gas 12, then the friction factor term for the gas/liquid interface 16 will have the opposite sign. A general expression relating gas 12 velocity, liquid 14 velocity and cross-sectional area within the wellbore 1 occupied by the gas 12 and the liquid 14 can be shown by the following expression:

$$\tau_g \frac{s_g}{A_g} - \tau_l \frac{s_l}{A_l} \pm \tau_i s_i \left(\frac{1}{A_g} - \frac{1}{A_l} \right) + (\rho_l - \rho_g) \sin \alpha = 0 \quad (11)$$

If the interface friction factor term in equation (11) is positive, then the gas 12 has the higher velocity. If the friction factor term is negative, then the liquid 14 has the higher velocity.

As is understood by those skilled in the art, knowledge of all three principal variables, gas 12 velocity, liquid 14 velocity, and fractional amount of the cross-sectional area of the wellbore 1 occupied by the gas 12 and by the liquid 14, is needed to determine the volumetric flow rates of fluids entering the wellbore 1 from each one of the zones (shown as 4 and 5 in Figure 1). By using the relationship described in equation (11), it is possible to determine any one of the three principal variables only by measuring the other two variables. For example, fractional amount of the cross-section of the wellbore 1 occupied by the gas 12 and by the liquid 14 can be determined simply by determining the gas 12 velocity and the liquid 14 velocity. The fractional amount of the cross-section of the wellbore 1 can be determined according to equation (11), and the volumetric flow rates of each of the gas 12 and of liquid 14 can thereby be determined.

Referring now to Figure 3, a preferred sensor for determining the gas velocity will be explained. A sensor housing 24 can be attached to the production logging tool 10 at the end of an extensible linkage 26. In the portion of the wellbore 1 which is substantially horizontal, as is understood by those skilled in the art, the tool 10 typically will be

positioned along the bottom side of the wellbore 1 due to gravity. It is preferable to provide the tool 10 with a bowspring 11 or similar eccentricing device so that the tool 10 is rotationally oriented to have the sensor housing 24 extend towards the top wall of the wellbore 1 when the linkage 26 is extended. The linkage 26 can be of a type familiar to those skilled in the art. The sensor housing 24 includes two temperature sensors 20, 22 positioned at a predetermined spacing from each other along the housing 24. Heating elements, which can be electrical resistance type heaters, shown at 18A and 18B can be positioned at each end of the housing 24. The heating elements 18A and 18B can be periodically energized with pulses of electrical power generated by control circuits (not shown) in the tool 10. The gas 12 in contact with the element 18A or 18B, energized when the power pulse is applied thereto, will be slightly elevated in temperature. Depending on the gas 12 velocity, the heated gas 12 will travel so that it momentarily raises the temperature of one of the sensors 20 or 22, and then after a time delay raises the temperature momentarily of the other sensor 22 or 20. Two heating elements, 18A and 18B, are provided to allow for the possibility that the velocity of the tool 10 relative to the velocity of the gas 12 can cause the heated gas 12 to move in either direction relative to the two sensors 20, 22. The gas 12 velocity can be determined by measuring the time delay between the momentary temperature increases at one sensor 20 and then the other 22, and dividing the time delay by the predetermined distance between the sensors 20, 22. As is understood by those skilled in the art, determining the time delay is preferably performed by cross-correlating temperature measurements of the two sensors 20, 22 and determining a value of time delay χ at which the correlation value R_{xy} reaches a maximum. This process can be described by the expression:

$$R_{xy}(\chi) = \lim \frac{1}{T} \int x(t) y(t+\chi) dt \quad (12)$$

where $x(t)$ and $y(t)$ represent the measurements from each temperature sensor 20, 22 with respect to time.

It is to be understood that other instruments known in the art, such as spinner flowmeters (not shown), can be used to determine gas 12 velocity. The sensor shown herein provides particular advantages in measuring very low gas 12 velocities, but the sensor shown

herein is not to be construed as a limitation on the invention.

The liquid 14 velocity can be determined by using any one of a number of instruments familiar to those skilled in the art, for example, a spinner type flowmeter (not shown) for higher liquid 14 velocities, or a radioactive tracer ejector/detector (not shown) for lower liquid 14 velocities.

Densities of the gas 12 and the liquid 14 can be determined by calculation from densities measured at the earth's surface converted to the temperature and pressure in the wellbore 1, or alternatively, can be measured using a fluid density instrument (not shown) of a type familiar to those skilled in the art.

From the analysis of fluid flow momentum described in the first embodiment of the invention, it is apparent that it is also possible to determine volumetric flow rates of the gas (12 in Figure 2) and the liquid (14 in Figure 2) by measuring either the gas 12 velocity or the liquid 14 velocity, and the fractional amount of the cross-sectional area of the wellbore (1 in Figure 2) which is occupied by the gas 12 and by the liquid 14. Since the manner of fluid flow (the "flow regime") is typically stratified flow, wherein the interface (16 in Figure 2) is substantially undisturbed, the fractional amount of the cross-sectional area of the wellbore 1 occupied by the gas 12 and by the liquid 14 can be determined by measurement of the liquid 14 depth. An apparatus for measuring liquid 14 depth can be observed by referring once again to Figure 3. A capacitance sensor arm 30 can be pivotally attached to the production logging instrument 10. The sensor arm 30 is preferably pivotally attached so that it radially extends from the tool 10 substantially in the same direction as the gas velocity sensor housing 24. The sensor arm 30 can include a mechanism (not shown) of a type familiar to those skilled in the art for selectively radially extending the sensor arm 30 so that it contacts the upper wall of the wellbore 10. The sensor arm 30 preferably includes an electrically insulating surface 30A upon which are disposed two parallel electrodes 31, 32 extending substantially the entire length of the arm 30. The electrodes 31, 31 can be electrically connected to a circuit (not shown) in the tool 10 which generates a signal proportional to the capacitance between the electrodes 31, 32. As is understood by those skilled in the art, the capacitance between the electrodes 31, 32

depends on the dielectric properties of the fluid in contact with the electrodes 31, 32. The liquid 14, which is likely to comprise at least a slight fractional volume of water, typically has substantially different dielectric properties than the gas 12. The capacitance between the electrodes 31, 32 will typically be directly related to the liquid 14 level in the wellbore 1.

5 Using a sensor arm 30 as shown in Figure 3, it is possible to determine volumetric flow rates of the liquid 14 and the gas 12 by measuring gas 12 velocity and liquid 14 level, and then solving equation (11) to determine the liquid 14 velocity. It is also possible to measure liquid 14 level using an apparatus similar to the one shown in Figure 3, and to measure the liquid 14 velocity using the previously described spinner flowmeter (not shown) or
10 radioactive tracer apparatus (not shown). Equation (11) can then be solved to determine gas 12 velocity.

The system disclosed herein provides the wellbore operator with system for determining volumetric flow rates of stratified gas/liquid flow in horizontal wellbores without the need to measure all three of the gas velocity, the liquid velocity and the fractional
15 amount of the cross-section of the wellbore occupied by each.

Those skilled in the art will devise modifications and improvements to the present invention without departing from the spirit of the invention.

CLAIMS

1. A method of determining volumetric flow rates of gas and liquid in a conduit wherein said gas and said liquid comprise substantially stratified flow, said method comprising the steps of:

- 5 measuring a velocity of said gas;
 measuring a velocity of said liquid;
 calculating a fractional amount of cross-sectional area of said conduit occupied by said gas and by said liquid; and

 calculating said volumetric flow rates from said velocity measurements and from said calculated fractional amounts of said cross-sectional area.

10

2. A method as claimed in claim 1 wherein said step of measuring said velocity of said gas comprises cross-correlating spaced apart temperature sensor measurements after momentarily heating said gas to determine a time delay of travel of the heated gas between said temperature sensors.

15

3. A method as claimed in claim 1 wherein said step of measuring said velocity of said gas comprises inserting a spinner flowmeter into said gas.

4. A method as claimed in claim 1, 2 or 3 wherein said step of measuring said velocity of said liquid comprises inserting a spinner flowmeter into said liquid.

20

5. A method as claimed in claim 1, 2 or 3 wherein said step of measuring said velocity of said liquid comprises measuring movement time of a radioactive tracer.

6. A method as claimed in any one of the preceding claims further comprising measuring density of said liquid using a fluid density instrument.

25

7. A method as claimed in any one of the preceding claims further comprising determining density of said gas by measuring pressure and temperature of said gas in said conduit and converting a surface measurement of said gas to said measured temperature and pressure.

8. A method as claimed in any one of the preceding claims wherein said liquid comprises water.

30

9. A method as claimed in any one of the preceding claims wherein

said liquid comprises a mixture of oil and water.

10. A method of determining volumetric flow rates of gas and liquid in a conduit wherein said gas and said liquid comprises substantially stratified flow, said method comprising the steps of:

- 5 measuring a velocity of said gas;
 measuring a level of said liquid within said conduit;
 calculating a fractional amount of cross-sectional area of said
conduit occupied by said gas and by said liquid;
 calculating a velocity of said liquid; and
10 calculating said volumetric flow rates from said gas velocity
measurement and from said calculated fractional amounts of said cross-sectional
area and calculated liquid velocity.

11. A method as claimed in claim 10 wherein said step of measuring
said velocity of said gas comprises cross-correlating spaced apart temperature
15 sensor measurements after momentarily heating said gas to determine a time
delay of travel of the heated gas between said temperature sensors.

12. A method as claimed in claim 10 or 11 wherein said step of
measuring said liquid level comprises measuring electrical capacitance across
said conduit.

20 13. A method of determining volumetric flow rates of gas and liquid
in a highly inclined conduit wherein said gas and said liquid comprise
substantially stratified flow, said method comprising the steps of:

- measuring a velocity of said liquid;
 measuring a level of said liquid within said conduit;
25 calculating a fractional amount of cross-sectional area of said
conduit occupied by said gas and by said liquid;
 calculating a velocity of said gas; and
 calculating said volumetric flow rates from said gas velocity
measurement and from said calculated fractional amounts of said cross-sectional
30 area and calculated gas velocity.

14. A method as claimed in claim 13 wherein said step of measuring

said velocity of said liquid comprises inserting a spinner flowmeter into said liquid.

5 15. A method as claimed in claim 13 wherein said step of measuring said velocity of said liquid comprises measuring movement time of a radioactive tracer.

16. A method as claimed in claim 13, 14 or 15 wherein said step of measuring said liquid level comprises measuring electrical capacitance across said conduit.

10 17. Apparatus for determining volumetric flow rates of gas and liquid in a conduit in which said gas and said liquid comprise substantially stratified flow, said apparatus comprising:

gas measurement means operable to measure a velocity of said gas;

15 liquid measurement means operable to measure a velocity of said liquid;

calculation means operable to calculate a fractional amount of cross-sectional area of said conduit occupied by said gas and by said liquid; and operable to calculate said volumetric flow rates from said velocity measurements and from said calculated fractional amounts of said cross-sectional area.

20 18. Apparatus for determining volumetric flow rates of gas and liquid in a conduit wherein said gas and said liquid comprise substantially stratified flow, said apparatus comprising:

25 gas measurement means operable to measure a velocity of said gas;

level measurement means operable to measure a level of said liquid within said conduit; and

30 calculation means operable to calculate a fractional amount of cross-sectional area of said conduit occupied by said gas and by said liquid to calculate a velocity of said liquid, and to calculate said volumetric flow rates from said gas velocity measurement and from said calculated fractional amounts

of said cross-sectional area and calculated liquid velocity.

19. Apparatus for determining volumetric flow rates of gas and liquid in a conduit wherein said gas and said liquid comprise substantially stratified flow, said apparatus comprising:

5 liquid measurement means operable to measure a velocity of said liquid;

level measurement means operable to measure a level of said liquid within said conduit;

10 calculation means operable to calculate a fractional amount of cross-sectional area of said conduit occupied by said gas and by said liquid, to calculate a velocity of said gas, and to calculate said volumetric flow rates from said gas velocity measurement and from said calculated fractional amounts of said cross-sectional area and calculated gas velocity.

20. A method of determining volumetric flow rates of gas and liquid in a conduit substantially as hereinbefore described with reference to the accompanying drawings.

21. Apparatus for determining volumetric flow rates of gas and liquid in a conduit substantially as hereinbefore described with reference to the accompanying drawings.



Application No: GB 9622804.4
Claims searched: 1 - 21

Examiner: Peter Weller
Date of search: 30 December 1996

Patents Act 1977
Search Report under Section 17

Databases searched:

UK Patent Office collections, including GB, EP, WO & US patent specifications, in:
UK CI (Ed.O): G1R (RG)
Int CI (Ed.6): G01F 1/74 1/00
Other: NONE

Documents considered to be relevant:

Category	Identity of document and relevant passage	Relevant to claims
X	GB 2152213 A INSTITUTE FRANCAIS - see page 2	1,10,13, 17,18,19.

X Document indicating lack of novelty or inventive step
Y Document indicating lack of inventive step if combined with one or more other documents of same category.
& Member of the same patent family

A Document indicating technological background and/or state of the art
P Document published on or after the declared priority date but before the filing date of this invention.
E Patent document published on or after, but with priority date earlier than, the filing date of this application.

THIS PAGE BLANK (USPTO)